

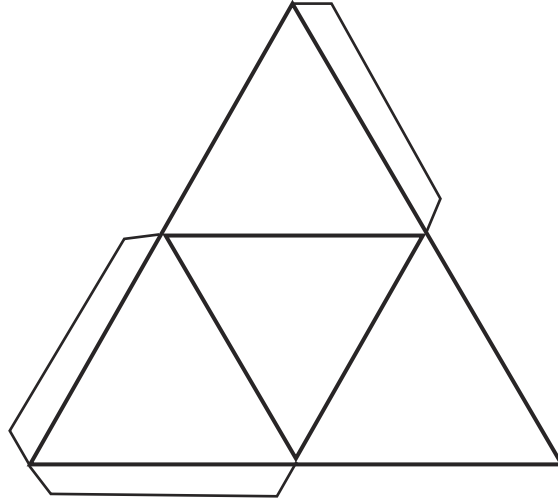


# Drawing Shape Nets

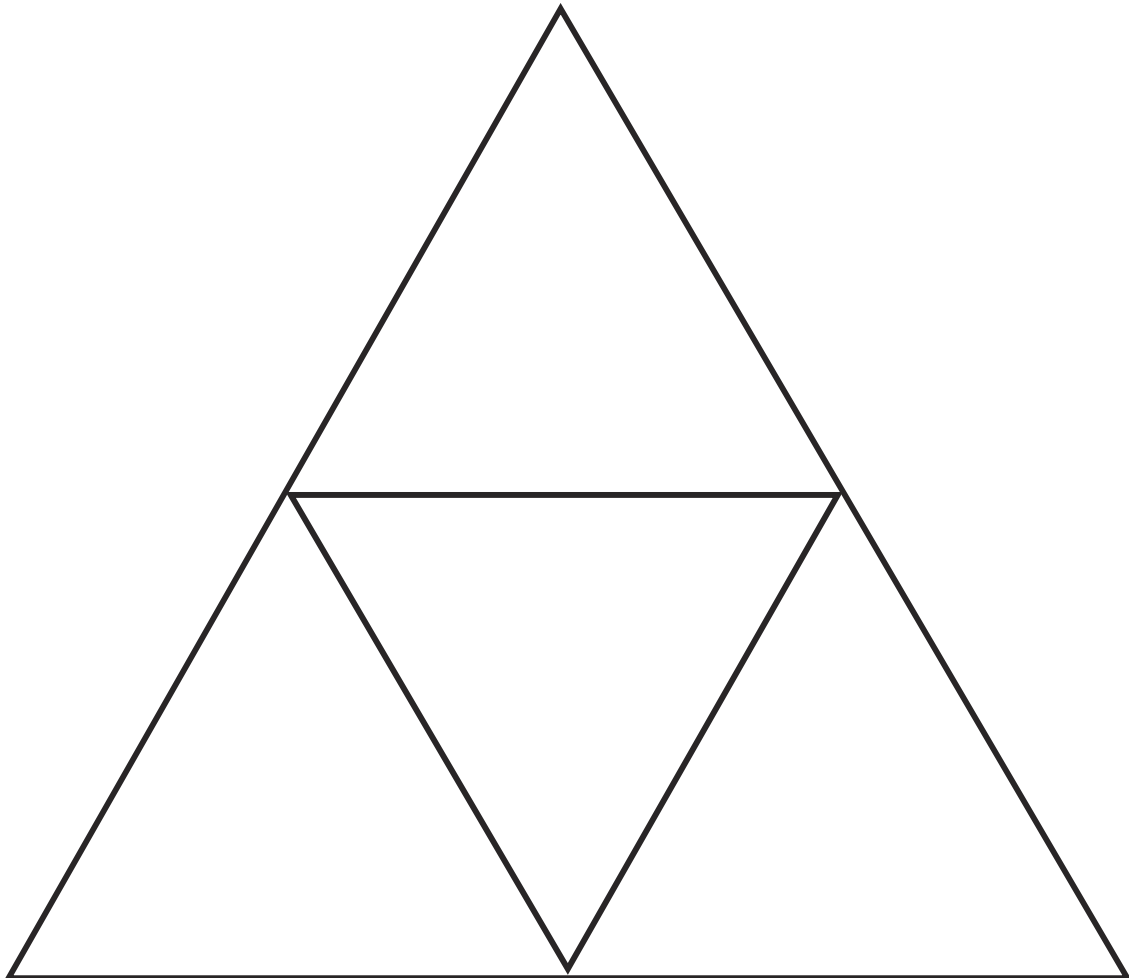
I can draw shape nets and use them to build 3D shapes.



Look carefully at this shape net.



Use your ruler to draw the tabs in the correct place on this shape net. Cut out and build into a tetrahedron.



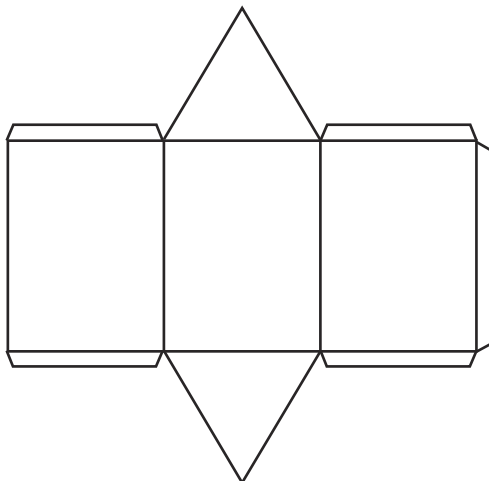


# Drawing Shape Nets

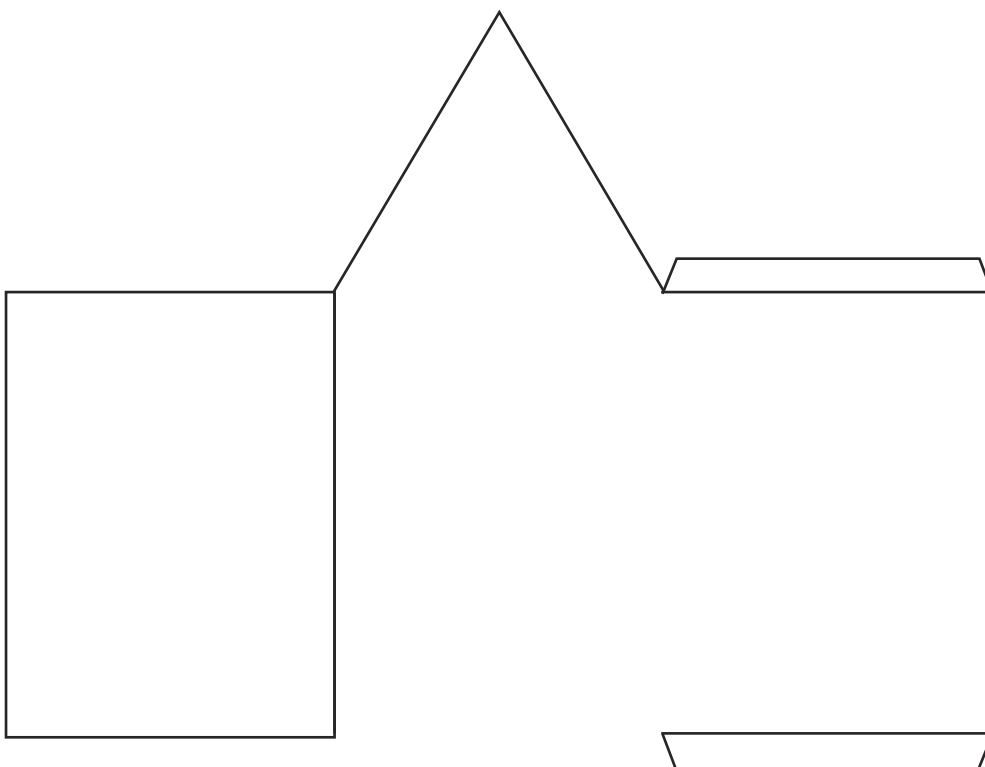
I can draw shape nets and use them to build 3D shapes.



Look carefully at this shape net.

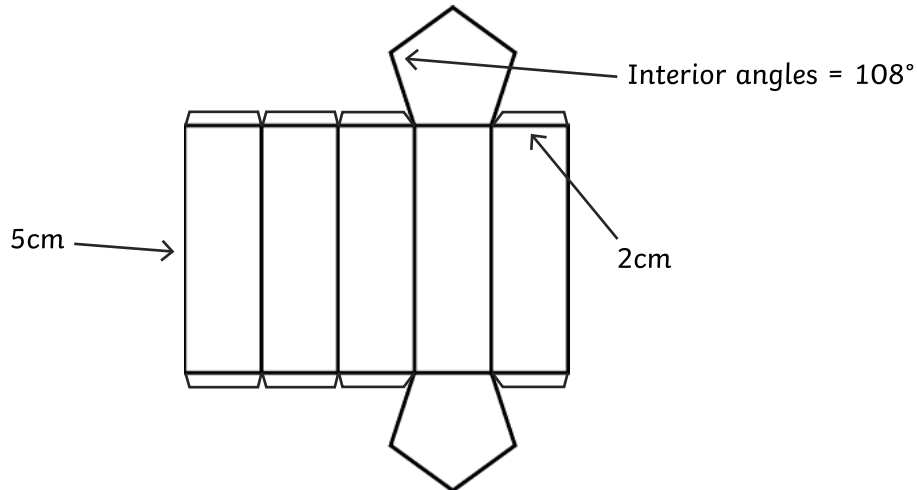


Use your ruler and protractor to draw the missing faces and tabs in the correct place on the shape net below. Cut out and build into a triangular prism.



# Drawing Shape Nets

I can draw shape nets and use them to build 3D shapes.



Use your ruler and protractor to draw this shape net below. Cut out and build into a pentagonal prism.